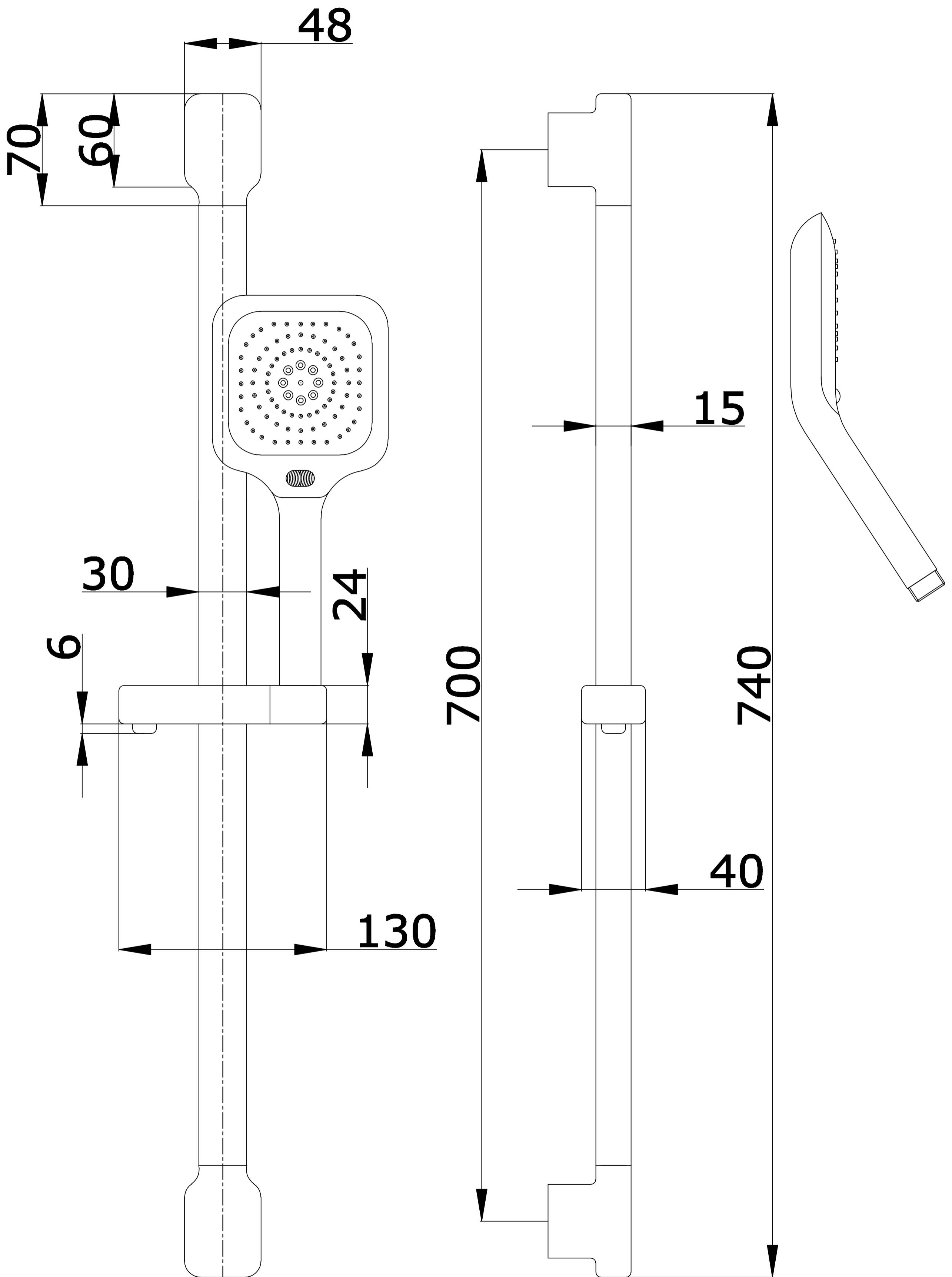


ART.4184



05/07/12