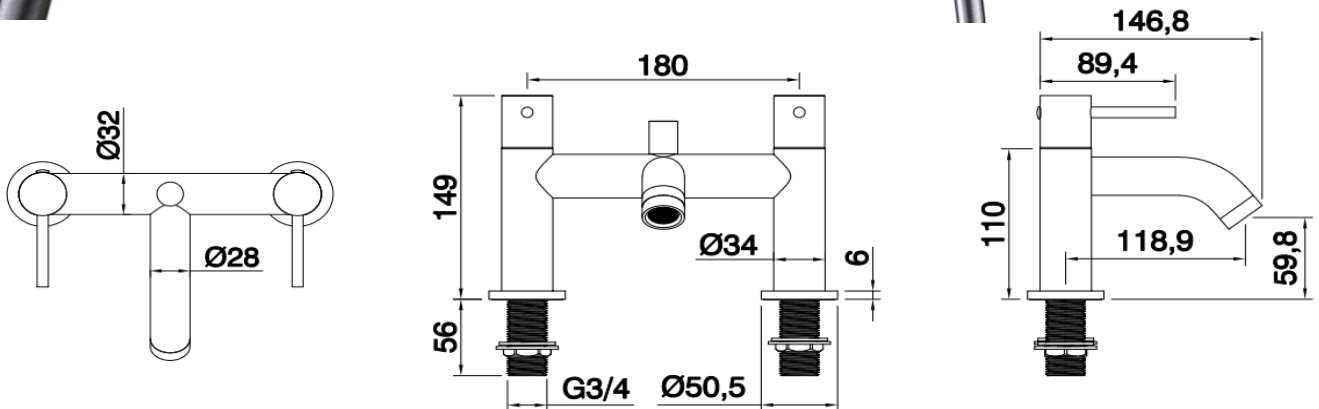


TECHNICAL DATA SHEET

G04 Deck Mounted Bath Shower Mixer (Inc. Shower Kit)

Barcode	7081242170440
Product Code	G04
Construction	Brass Body (CuZn40Pb2), EN CW617N (equivalent to BS CZ122); Zinc-alloy Handles; Brass Base plates
Finishes	Chrome (Ni : 8-12um, Cr : 0.25-0.3um)
Product Type	Contemporary
Water Pressure	Min. 1.5 bar, Max. 6.0 bar
Plumbing Systems	Suitable for all plumbing systems, Hot and Cold water pressure preferably balanced Max. supply pressure differential requirement no greater than 5:1
Standards	Complies with BS5412, BS EN200
Certification	Manufactured to comply with WRAS
Cartridge	1/4 Turn 3/4" Ceramic disc valves
Aerator	M22 Spout aerator
Fitting	Brass G $\frac{3}{4}$ " BSP tails
Packaging	50 x 29.5 x 38cm / carton (4 boxes), Dimension: 28 x 24 x 18cm / box; Weight: 2.63Kg / box
Guarantee	10 years against manufacturing faults (excluding serviceable parts)
Additional Information	Supplied with Chrome 1.5m smooth PVC hose, outlet hose elbow, single mode ABS handset & wall mounted ABS holder

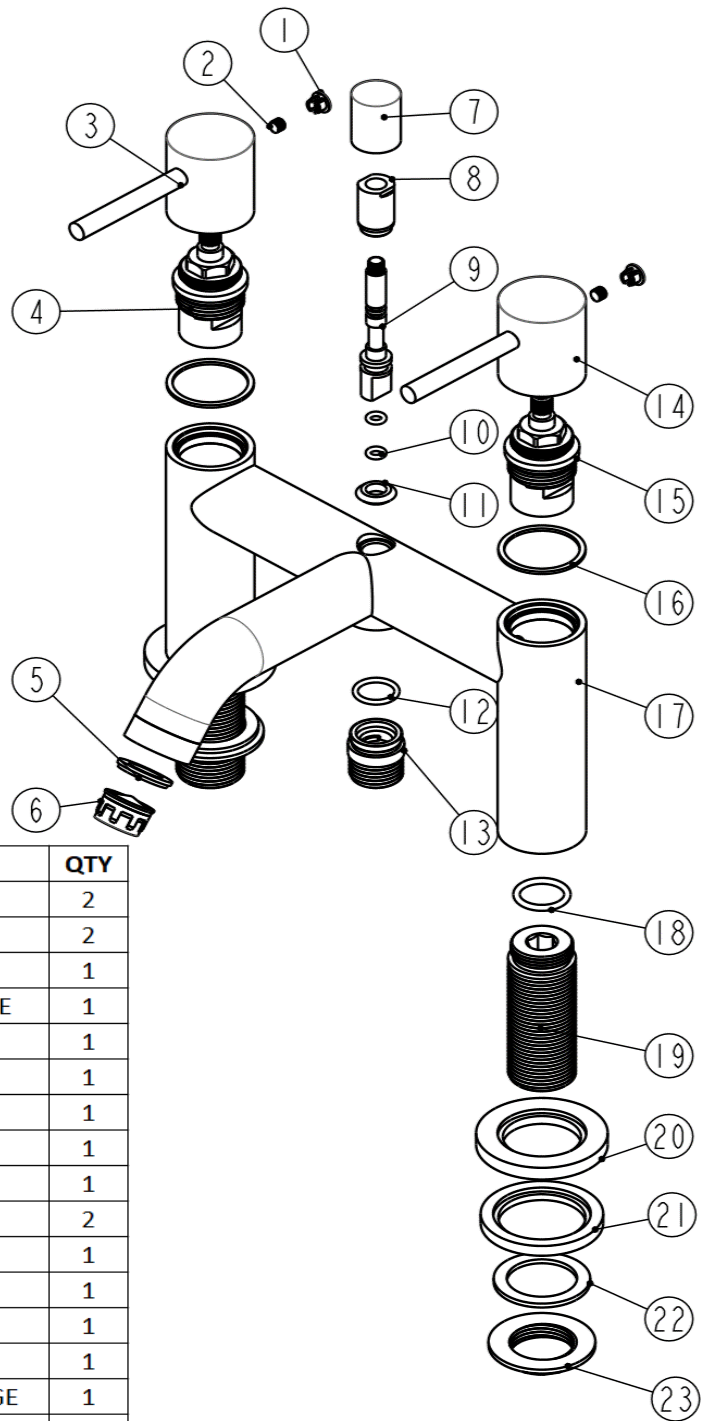


Flow Rates (Litres per minute)

System Pressure	0.1 Bar	0.2 Bar	0.3 Bar	0.5 Bar	1.0 Bar	1.5 Bar	2.0 Bar	3.0 Bar	4.0 Bar	5.0 Bar
G04	-	-	-	6.4	9.5	12.0	13.9	17.2	-	-

The information contained on this page was correct at date of issue. Fitting dimensions are provided as a guide only. Some variation may occur due to manufacturing tolerances. We pursue a policy of continuing improvement in design and performance of our products and so reserve the right to change specifications without prior notice.

G04



NO.	ITEM	QTY
1	ø6.8 ABS COVER CAP	2
2	M5x5 S/S POINTED GRUB SCREW	2
3	ø34 ZINC-ALLOY HOT HANDLE	1
4	G3/4" HOT CERAMIC DISC CARTRIDGE	1
5	ø22.8*ø15*3 SILICONE WASHER	1
6	ø21*12 M22 PLASTIC AERATOR	1
7	BRASS DIVERTER CAP	1
8	BRASS DIVERTER CONNECTOR	1
9	BRASS DIVERTER ROD	1
10	ø8*1.9 NBR O-RING	2
11	NBR WASHER	1
12	ø18*2 NBR O-RING	1
13	BRASS OUTLET CONNECTOR	1
14	ø34 ZINC-ALLOY COLD HANDLE	1
15	G3/4" COLD CERAMIC DISC CARTRIDGE	1
16	ø33.5*ø29*1.2 PLASTIC HANDLE WASHER	2
17	BRASS TAP BODY	1
18	ø22*2.5 NBR O-RING	2
19	G3/4*68L BRASS BSP TAIL	2
20	ø50.5*6 BRASS BASE PLATE	2
21	ø47*5 RUBBER WASHER	2
22	ø37*ø27*2 RUBBER WASHER	2
23	G3/4*7L BRASS LOCK NUT	2