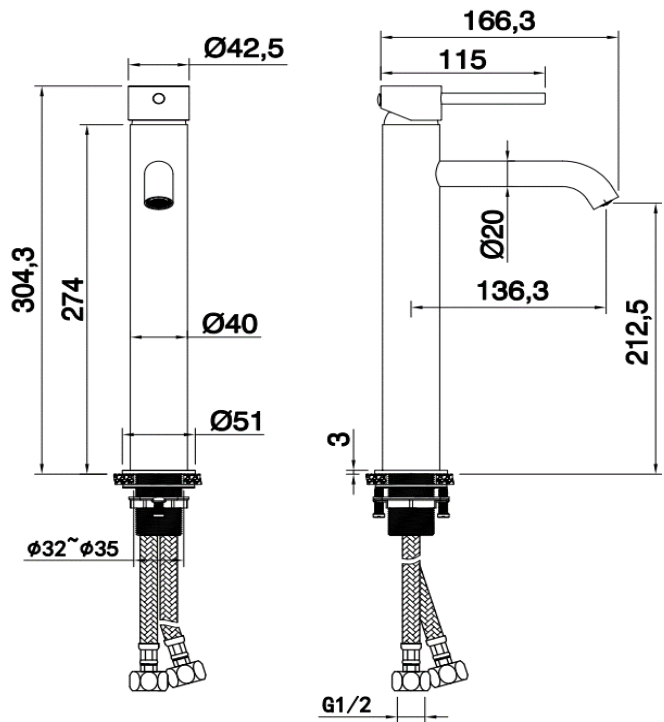


TECHNICAL DATA SHEET

G08 Tall Basin Mono Mixer

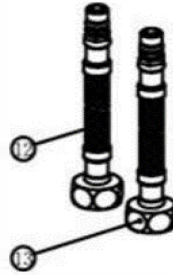
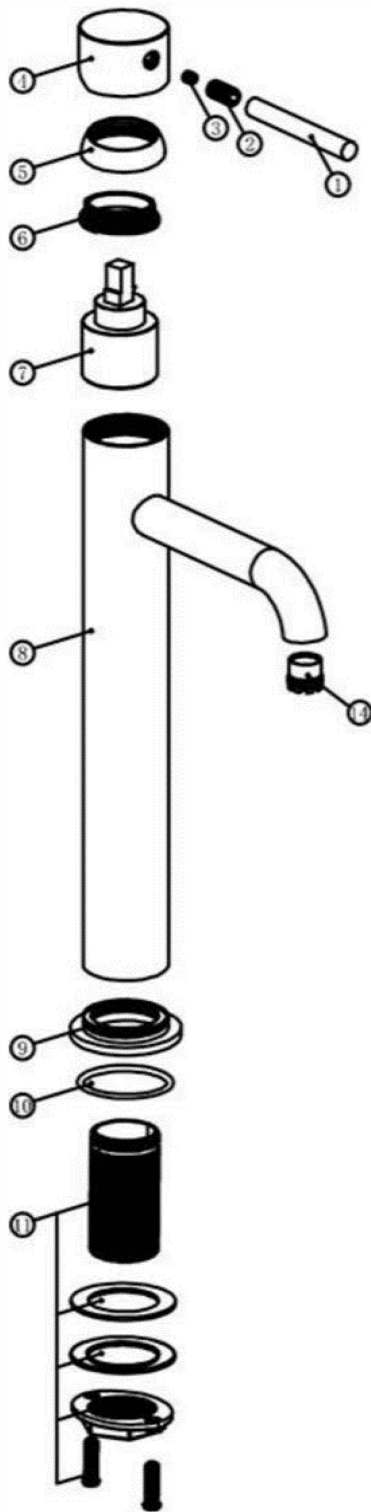
| | |
|-------------------------|---|
| Barcode | 7081243854813 |
| Product Code | G08 |
| Construction | Brass Body (CuZn40Pb2), EN CW617N (equivalent to BS CZ122) Zinc-alloy Handle |
| Finishes | Chrome (Ni : 8-12um, Cr : 0.25-0.3um) |
| Product Type | Contemporary |
| Water Pressure | Min. 0.5 bar, Max. 6.0 bar |
| Plumbing Systems | Suitable for all plumbing systems, Hot and Cold water pressure preferably balanced Max. supply pressure differential requirement no greater than 5:1 |
| Standards | Complies with BS6920, BS EN200 |
| Certification | - |
| Cartridge | CITEC 35mm 110° Coolstart Ceramic disc cartridge |
| Aerator | Neoperl Slim Aerator |
| Fitting | UK: M10 x 350mm G½" BSP Female Flexi Tails EU: M10 x 350mm G3/8" BSP Female Flexi Tails |
| Packaging | 43 x 38.5 x 34cm / carton (8 boxes), Dimension: 37.5 x 20.5 x 8cm / box; Weight: 1.56Kg / box |
| Guarantee | 10 years against manufacturing faults (excluding serviceable parts) |



Flow Rates (Litres per minute)

| System Pressure | 0.1 Bar | 0.2 Bar | 0.3 Bar | 0.5 Bar | 1.0 Bar | 1.5 Bar | 2.0 Bar | 3.0 Bar | 4.0 Bar | 5.0 Bar |
|-----------------|---------|---------|---------|---------|---------|---------|---------|---------|---------|---------|
| G08 | - | - | - | 4.4 | 6.0 | - | 8.3 | 10.1 | - | - |

All dimensions are in millimetres unless otherwise stated. The information contained on this page was correct at date of issue. Fitting dimensions are provided as a guide only. Some variation may occur due to manufacturing tolerances. We pursue a policy of continuing improvement in design and performance of our products and so reserve the right to change specifications without prior notice.



G08

| 14 | AERATOR | 1 | G08-18 |
|-----|-------------|-----|--------|
| 13 | HOSE (RED) | 1 | G08-17 |
| 12 | HOSE (BLUE) | 1 | G08-16 |
| 11 | SCREW | 2 | G08-15 |
| 11 | BACKNUT | 1 | G08-14 |
| 11 | WASHER | 1 | G08-13 |
| 11 | WASHER | 1 | G08-12 |
| 11 | BSP-TAIL | 1 | G08-11 |
| 10 | O-RING | 1 | G08-10 |
| 9 | BASE-PLATE | 1 | G08-09 |
| 8 | BODY | 1 | G08-08 |
| 7 | CARTRIDGE | 1 | G08-07 |
| 6 | NUT | 1 | G08-06 |
| 5 | SHROUD | 1 | G08-05 |
| 4 | HANDLE | 1 | G08-04 |
| 3 | SCREW | 1 | G08-03 |
| 2 | SCREW | 1 | G08-02 |
| 1 | LEVER | 1 | G08-01 |
| NO. | NAME | QTY | CODE |

| | | |
|--|-------------|------------|
| <p>Material: Assembly Size: A4</p> | | |
| <p>(Date:D/M/Y) Scale: None Issue No: 01</p> | | |
| Drawn by: | Konstantine | 28/06/2021 |
| Checked by: | Lee | 28/06/2021 |
| Approved by: | T. K. | 28/06/2021 |
| Drawing Name: | | |

GLAN
Kitchen & Bath