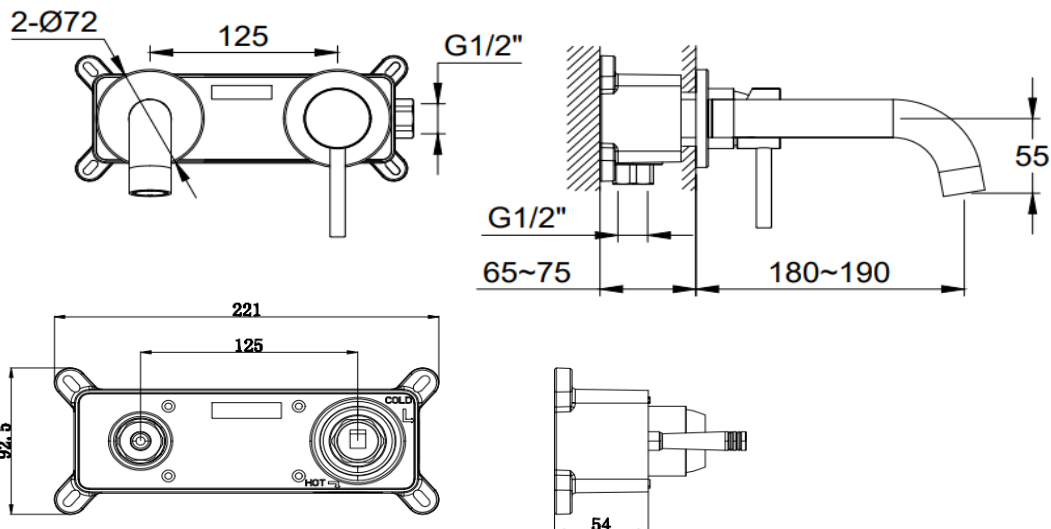


TECHNICAL DATA SHEET

G18E Wall Mounted Basin Mixer

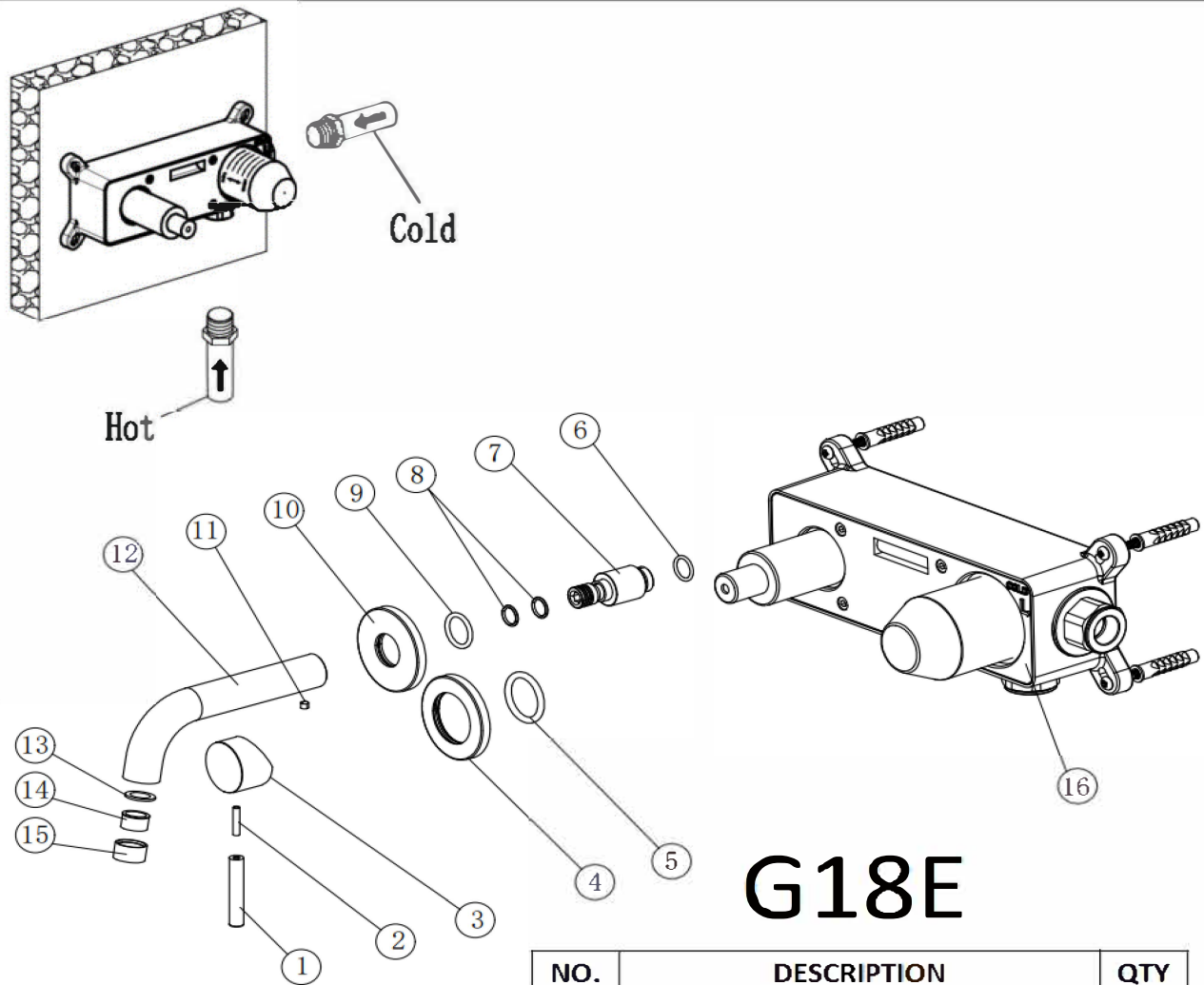
Barcode	7427042695453
Product Code	G18E
Construction	Brass Body, Handle & Base plates (HPb58-2), equivalent to BS CZ121 or CuZn39Pb3 Brass Spout (HPb58-2 + H65), equivalent to BS CZ121 & CZ107
Finishes	Chrome (Ni : 8-12um, Cr : 0.25-0.3um)
Product Type	Contemporary
Water Pressure	Min. 0.5 bar, Max. 6.0 bar
Plumbing Systems	Suitable for all plumbing systems, Hot and Cold water pressure preferably balanced Max. supply pressure differential requirement no greater than 5:1
Standards	Complies with BS5412, BS EN200
Certification	-
Cartridge	SEDAL WRAS approved 35mm Ceramic disc cartridge
Aerator	Spout aerator
Fitting	EZ-BOX - Two Brass Inlet G $\frac{1}{2}$ " BSP Female (hot and cold) , One Outlet G $\frac{1}{2}$ " BSP
Packaging	33 x 31 x 62cm / carton (5 boxes), Dimension: 31 x 29 x 12cm / box; Weight: 2.20Kg / box
Guarantee	10 years against manufacturing faults (excluding serviceable parts)



Flow Rates (Litres per minute)

System Pressure	0.1 Bar	0.2 Bar	0.3 Bar	0.5 Bar	1.0 Bar	1.5 Bar	2.0 Bar	3.0 Bar	4.0 Bar	5.0 Bar
G18E	-	-	-	-	6.4	-	12.0	16.1	19.4	22.7

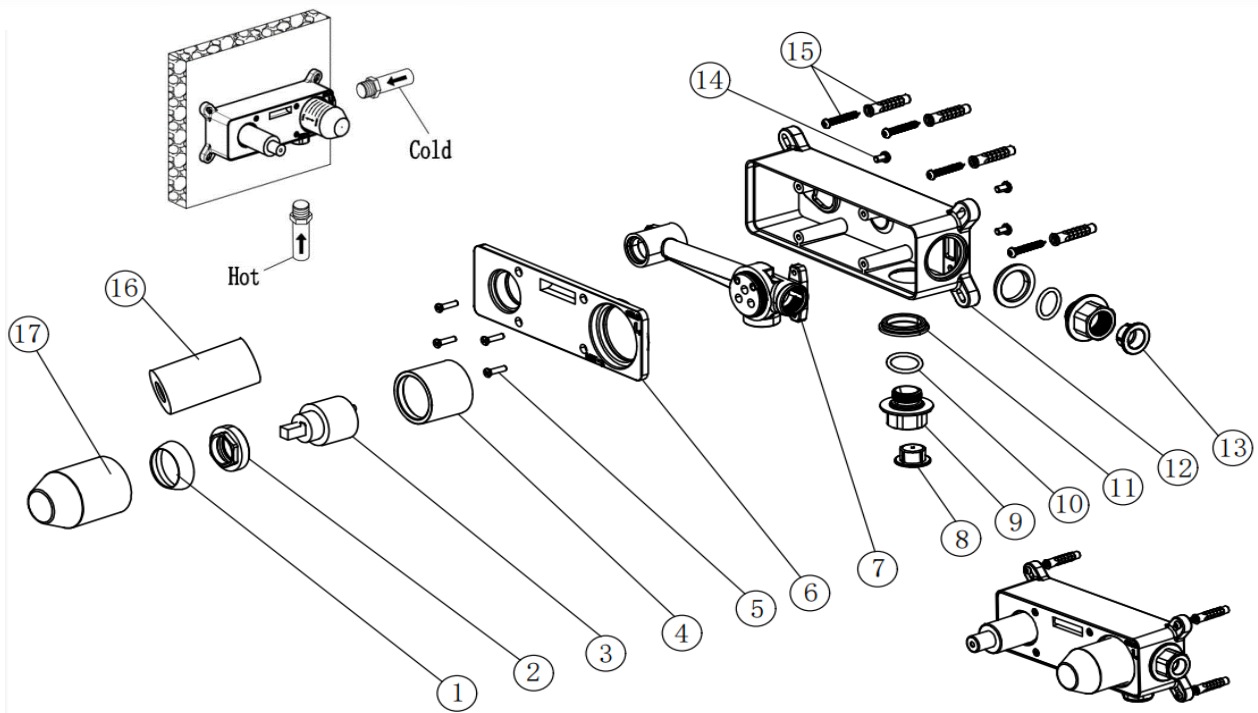
The information contained on this page was correct at date of issue. Fitting dimensions are provided as a guide only. Some variation may occur due to manufacturing tolerances. We pursue a policy of continuing improvement in design and performance of our products and so reserve the right to change specifications without prior notice.



G18E

NO.	DESCRIPTION	QTY
1	BRASS HANDLE LEVER	1
2	M5x30 SS304 S/STEEL GRUB SCREW	1
3	BRASS HANDLE BODY	1
4	BRASS HANDLE BASE PLATE	1
5	Ø50*3.1 NBR O-RING	1
6	Ø22*2.5 NBR O-RING	3
7	BRASS SPOUT CONNECTOR	1
8	Ø18*2 NBR O-RING	2
9	Ø33*2.5 NBR O-RING	1
10	BRASS SPOUT BASE PLATE	1
11	SS304 S/STEEL GRUB SCREW	1
12	BRASS SPOUT	1
13	NBR AERATOR WASHER	1
14	AERATOR	1
15	BRASS AERATOR CASING	1
16	EASY BOX VALVE ASSEMBLY	1

		(Date:D/M/Y)	Material: Assembly	Size: A4
			Scale: None	Issue No: 01
Drawn by:	Konstantine	28/06/2021		
Checked by:	Lee	28/06/2021		
Approved by:	T. K.	28/06/2021		
Drawing Name:				



G18E

NO.	DESCRIPTION	QTY
1	BRASS HANDLE COLLAR	1
2	BRASS CARTRIDGE NUT	1
3	SEDAL 35MM CERAMIC DISC CARTRIDGE	1
4	BRASS VALVE CONNECTOR	1
5	M5x20 SS304 S/STELL SELF-TAPPING SCREW	4
6	ABS FRONT COVER	1
7	BRASS CONCEALLED VALVE BODY	1
8	PLASTIC INLET CAP	1
9	BRASS INLET CONNECTOR	2
10	Ø22*2.5 NBR O-RING	2
11	NBR WASHER	2
12	ABS EASY BOX	1
13	PLASTIC INLET CAP	1
14	M5x8 SS304 S/STEEL ANTI-SLIP SCREW	3
15	M5x32 SCREW AND WALL PLUG	4
16	ABS PROTECTOR COVER	1
17	PLASTIC CARTRIDGE PROTECTOR COVER	1

Alfred Victoria Exploded Drawings			Material:	Assembly	Size:	A4
			(Date:D/M/Y)	Scale:	None	Issue No: 01
Drawn by:	Konstantine	28/06/2021				
Checked by:	Lee	28/06/2021				
Approved by:	T. K.	28/06/2021				
Drawing Name:						