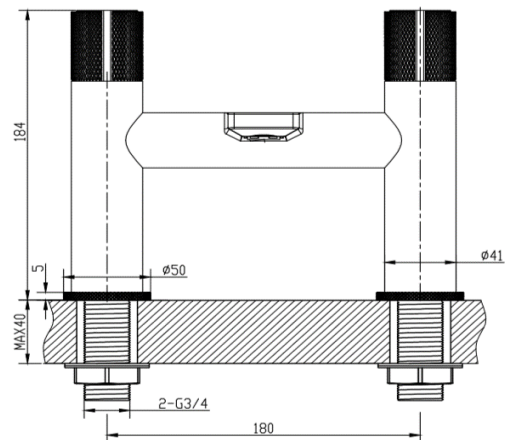
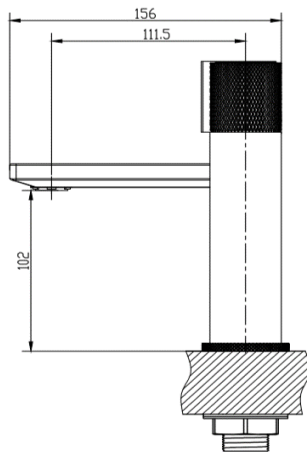


# TECHNICAL DATA SHEET

## MG03K Deck Mounted Bath Filler

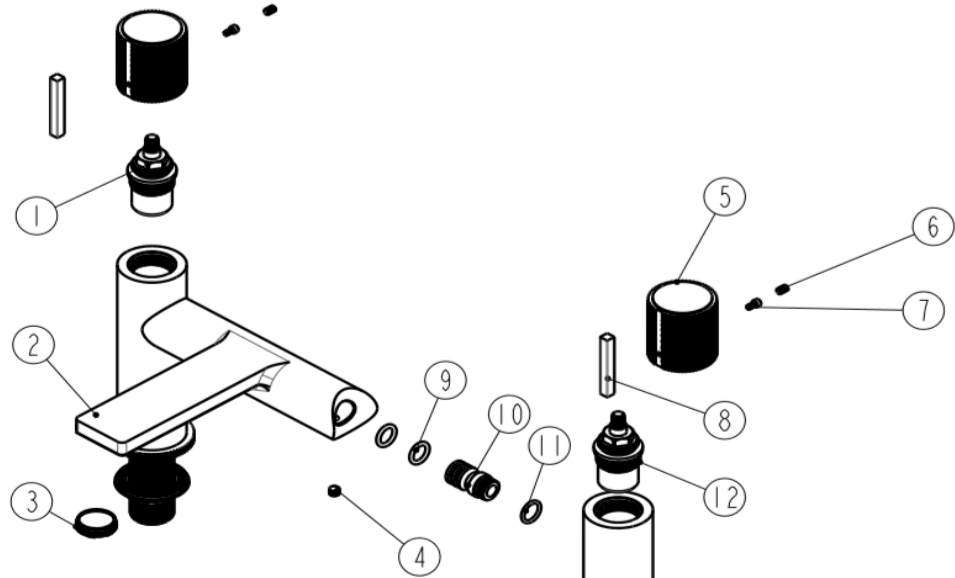
<b>Barcode</b>	-
<b>Product Code</b>	MG03K
<b>Construction</b>	Brass Body (CuZn40Pb2), EN CW617N (equivalent to BS CZ122) Zinc alloy Handle
<b>Finishes</b>	Matt Black
<b>Product Type</b>	Contemporary
<b>Water Pressure</b>	Min. 0.5 bar, Max. 6.0 bar
<b>Plumbing Systems</b>	Suitable for all plumbing systems
<b>Standards</b>	Complies with BS5412, BS EN200
<b>Certification</b>	-
<b>Cartridge</b>	1/4 Turn 3/4" Ceramic Disc Valves
<b>Aerator</b>	Spout Aerator
<b>Fitting</b>	Brass G <sup>3</sup> / <sub>4</sub> " BSP tails
<b>Packaging</b>	50 x 29.5 x 38cm / Carton (4 boxes), Dimension: 28 x 24 x 18cm / box Weight: 2.70Kg / box
<b>Guarantee</b>	10 years against manufacturing faults (excluding serviceable parts)



### Flow Rates (Litres per minute)

System Pressure	0.1 Bar	0.2 Bar	0.3 Bar	0.5 Bar	1.0 Bar	1.5 Bar	2.0 Bar	3.0 Bar	4.0 Bar	5.0 Bar
<b>MG03K</b>	7.5	10.0	12.0	15.4	21.6	26.4	30.5	37.4	43.3	-

The information contained on this page was correct at date of issue. Fitting dimensions are provided as a guide only. Some variation may occur due to manufacturing tolerances. We pursue a policy of continuing improvement in design and performance of our products and so reserve the right to change specifications without prior notice.



# MG03K

NO.	ITEM	QTY
1	G 3/4" HOT CARTRIDGE	1
2	TAP BODY	1
3	AERATOR	1
4	M6*5 GRUB SCREW	2
5	HANDLE	2
6	M4*7.6 GRUB SCREW	2
7	M3*6 GRUB SCREW	2
8	HANDLE SLIT	2
9	Φ16*2.5 NBR O-RING	2
10	CONNECTOR	2
11	Φ16*2 NBR O-RING	2
12	G 3/4" COLD CARTRIDGE	1
13	CARTRIDGE PILLAR	2
14	Φ38*2 NBR O-RING	2
15	BASE PLATE	2
16	Φ47*4 NBR O-RING	2
17	Φ42*Φ27.5*2.2 NBR WASHER	2
18	Φ44*Φ28.3*1 SS WASHER	2
19	G 3/4" LOCK NUT	2
20	Φ25*2 NBR O-RING	2
21	G 3/4" BSP TAILS	2

