

NOMAD
TECHNICAL



NOMAD TECHNICAL

- Structure: 16mm laminate particle board
- Front: 16mm laminate particle board
- Finish: Matt lacquered and laminates
- Hanger: Scarpi 4



Metallic drawer



Full-extraction



Chromed handle



Soft-Close drawer



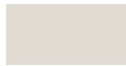
Antibacterial lacquer

NOMAD FINISHES

Matt lacquered



B-Ada



Cotton



Musgo



Avio



Griggio



Ceniza



Navy



Black

Laminated finish



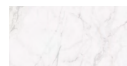
Valenti



Niágara



Harlem



Cala

NOMAD DIMENSIONS

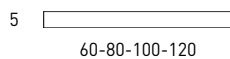
Vanity units

Depth 46cm



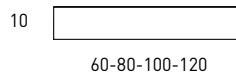
Shelf

Depth 46cm



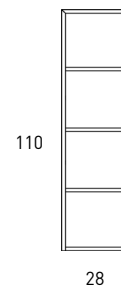
Shelf

Depth 46cm

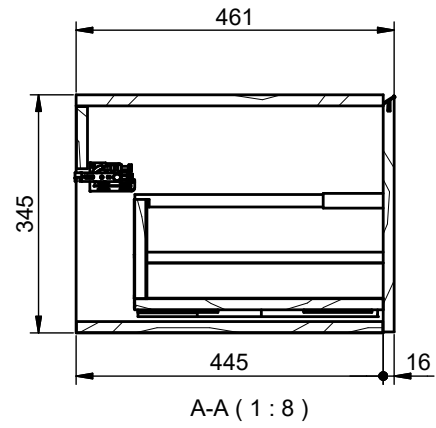
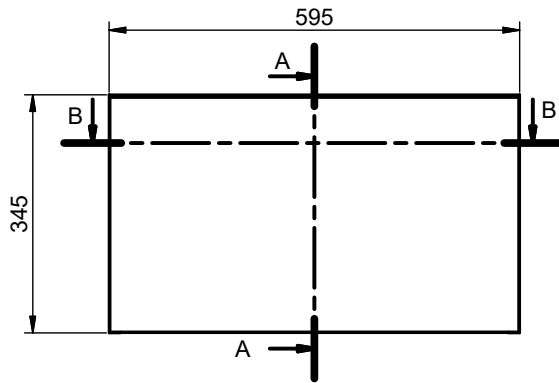


Open tall unit

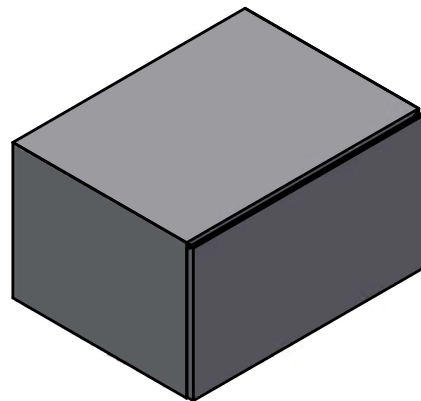
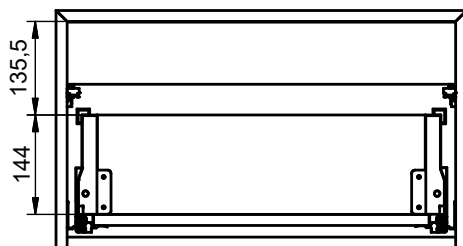
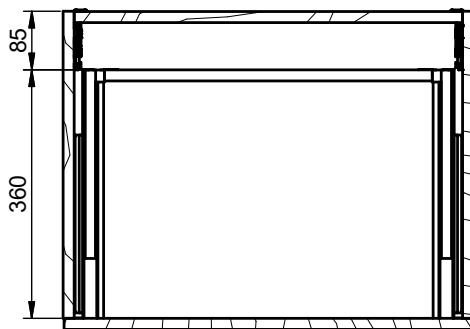
Depth 20cm



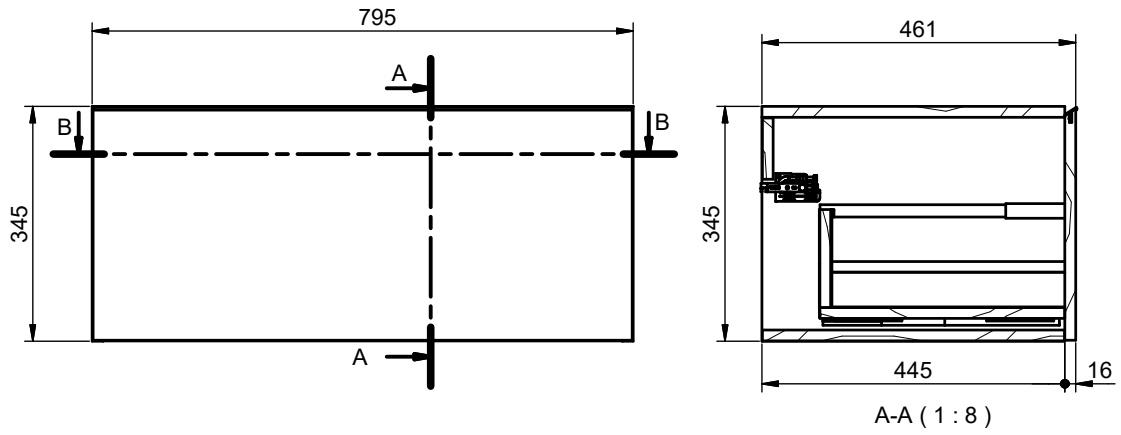
Vanity 1 drawer - 60cm



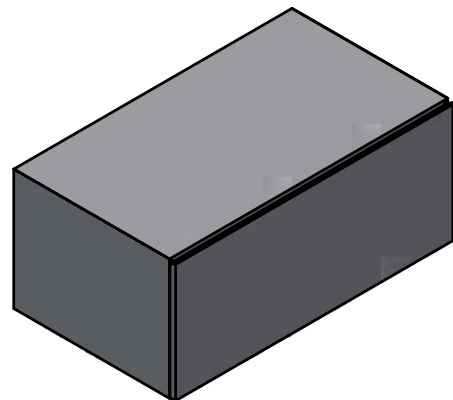
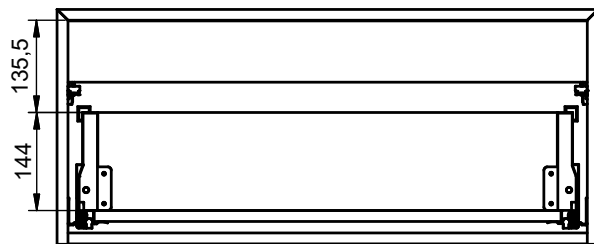
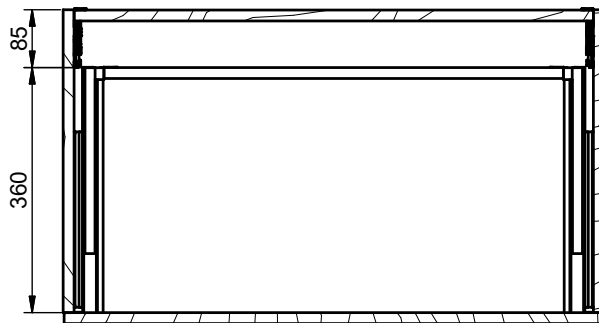
B-B (1:8)



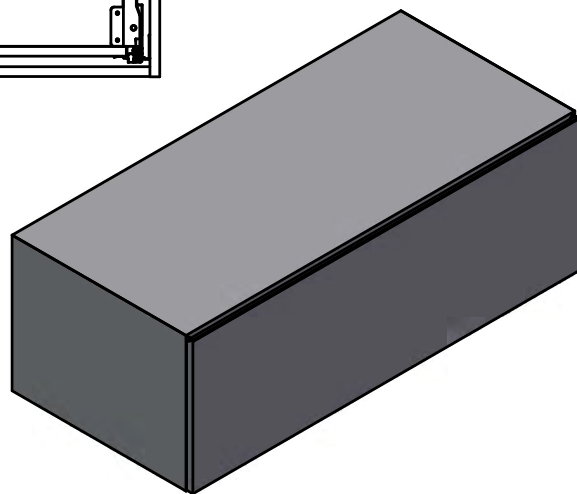
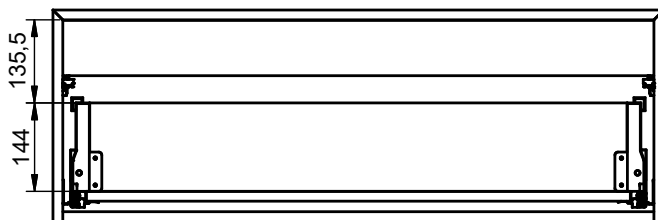
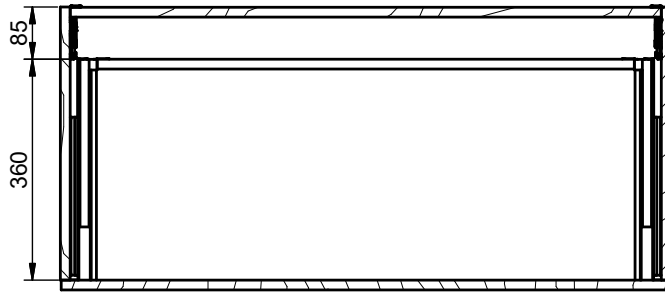
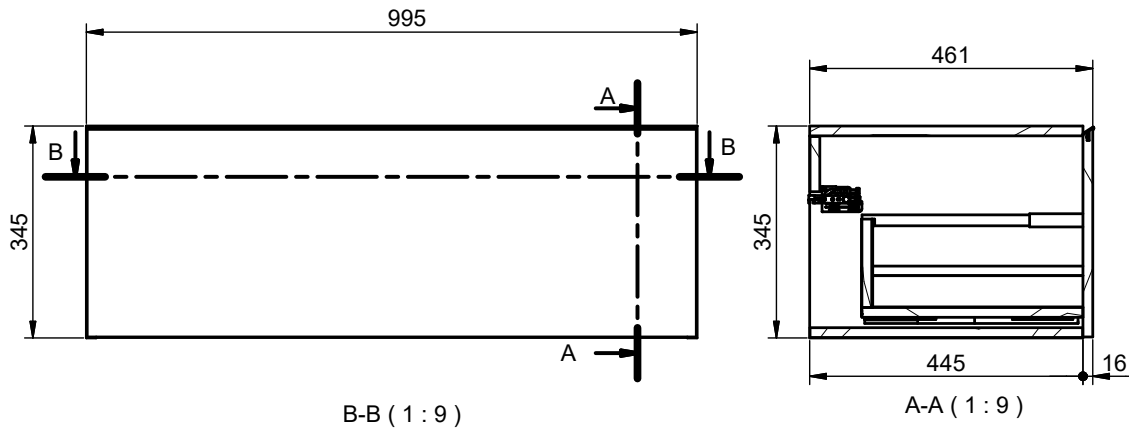
Vanity 1 drawer - 80 cm



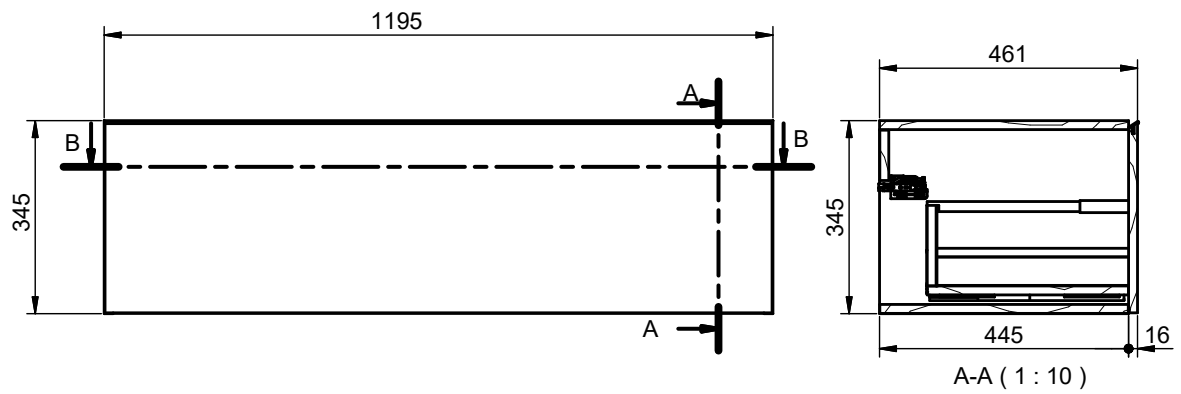
B-B (1:8)



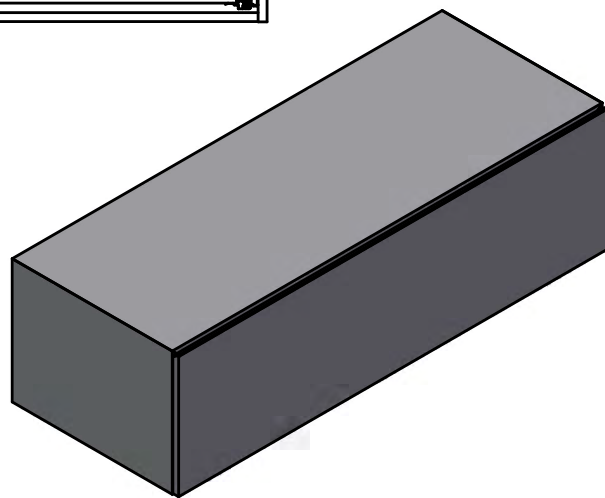
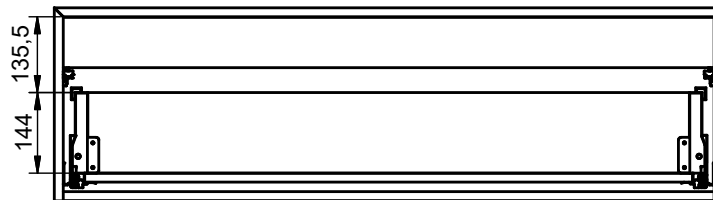
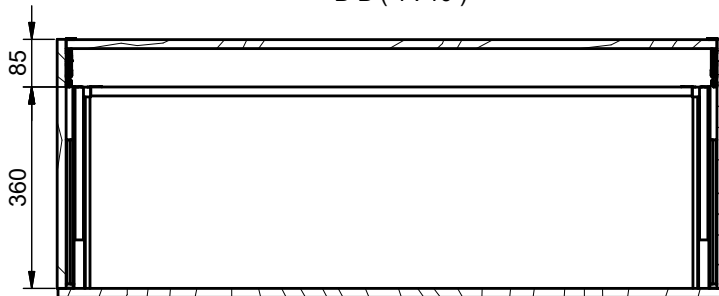
Vanity 1 drawer - 100cm



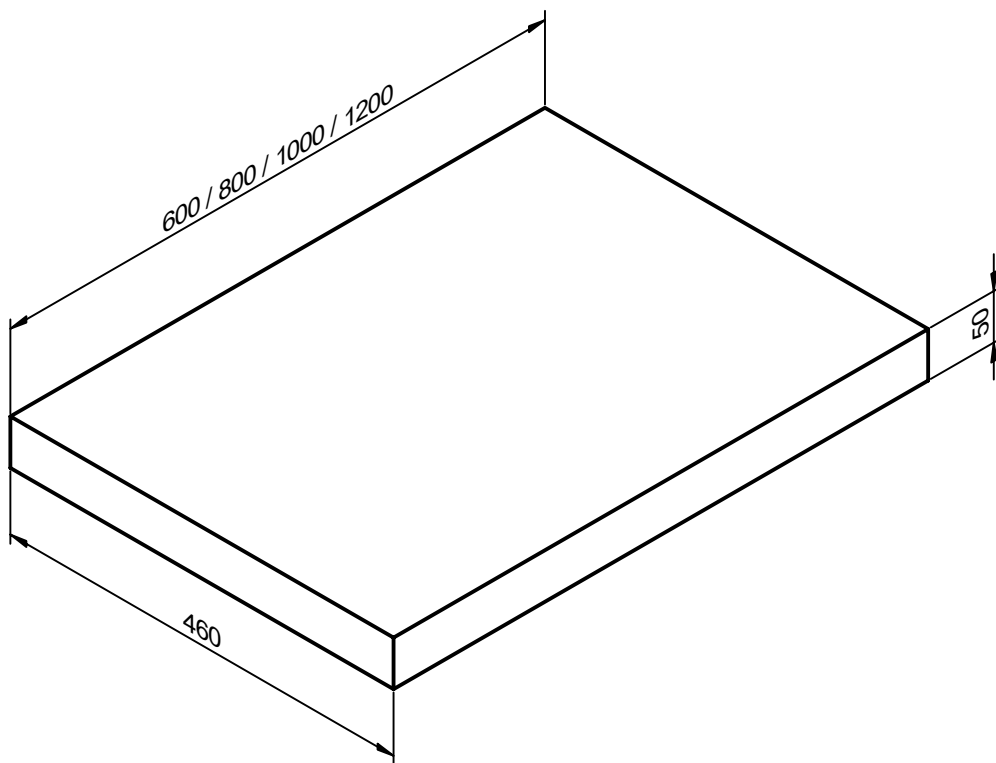
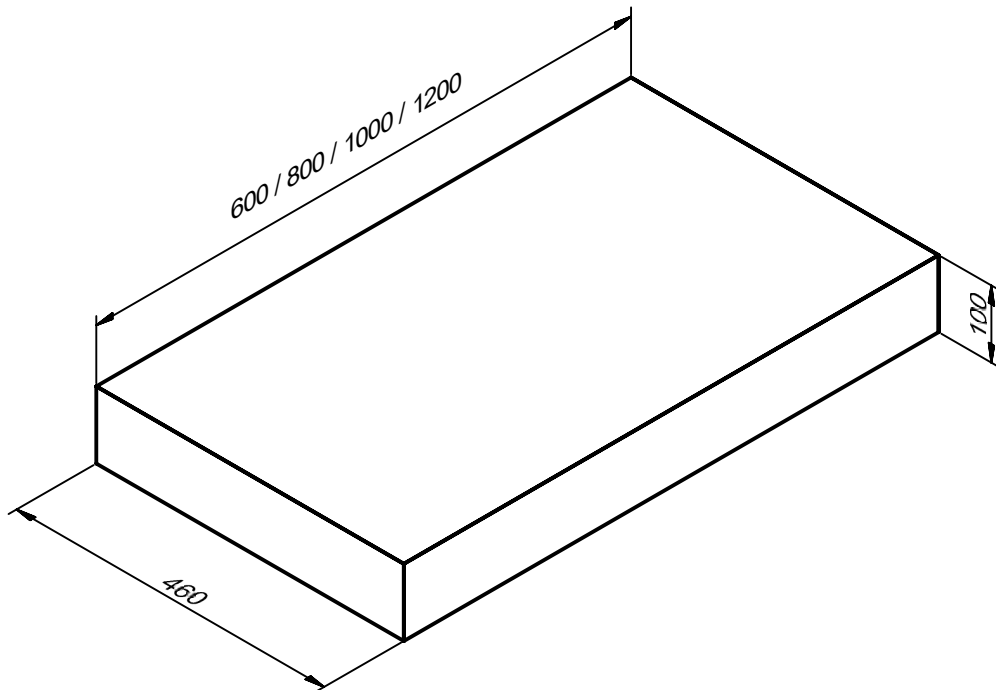
Vanity 1 drawer - 120cm



B-B (1:10)



Shelf 5 cm / Countertop 10 cm



Open tall unit

